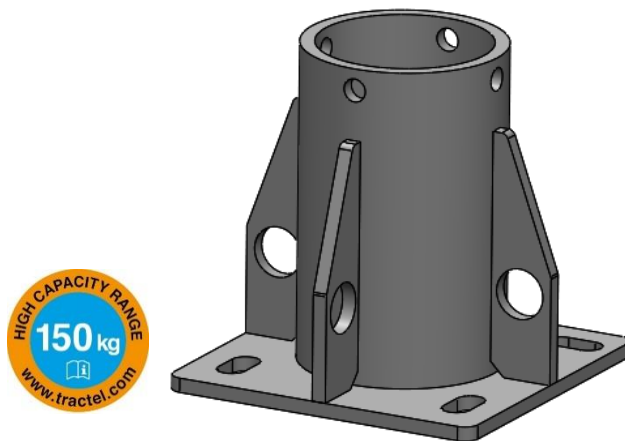


## APPLICATIONS

The davitrac / davimast mounted floor adapter is exclusively intended to be installed with the davitrac or davimast manufactured by Tractel®. This adapter allows the davitrac or davimast to be installed at any point on a horizontal surface. It is equipped with 4 PPE anchoring points 150kg. A maximum of 2 operators can be secured when installing the davitrac or davimast.



## DESCRIPTION

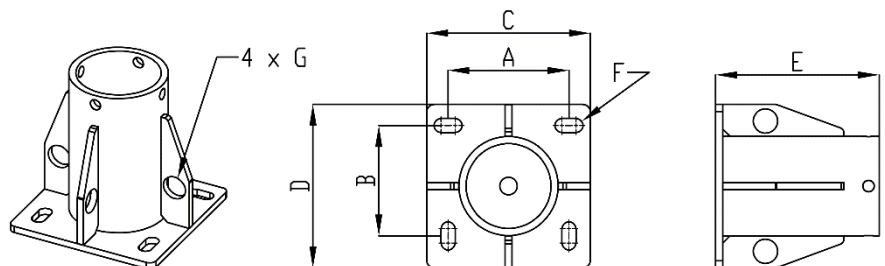
The davitrac / davimast mounted floor adapter is fixed to the floor with 4 heavy duty chemical anchors with a diameter of 16mm.

It can be installed without any specific tools and is quick and easy to install.

It allows the davitrac or davimast to rotate 360° in relation to its axis.

## TECHNICAL CHARACTERISTICS

- Material: galvanised steel
- Net weight: 12.5kg
- A: 170mm
- B: 155mm
- C: 230mm
- D: 230mm
- E: 230mm
- F: 20mm



## APPLICABLE STANDARDS

- EN795-A:2012: Fall arrest anchor point,
- TS16415: Multiuser of 150 kg
- 2006/42/CE: Anchor lifting point in accordance with the machine directive (WLL 500kg)

## MAIN COMPONENTS

Code	Description	EAN Code	Weight (incl. packaging)	Packaging size
210108	Mounted floor adapter davimast / davitrac	3600232101086	12.7 kg	230x230x230 mm